

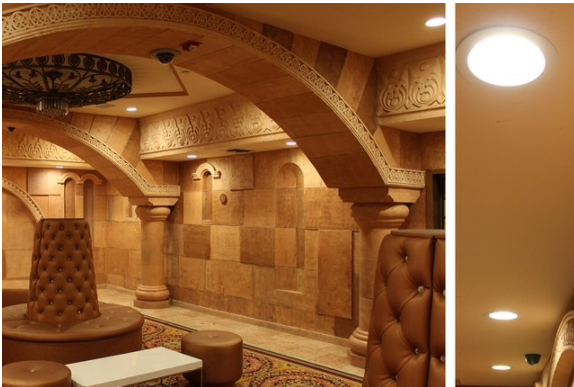
- Premium color rendering at **90+ CRI**
- Dimmable
- 5 Year Warranty
- \$300+ fixture lifetime savings versus traditional lights
- 4" - 6" Retrofit Kits Available



## Product Description

FOS utilizes a high efficiency and low thermal resistance LM80 chip package preserving high color management throughout the life of the luminaire while offering high luminous efficacy of 74 lm/W.

The upper housing and driver mounting are configured to conduct heat away from the LEDs and transfer to plenum space for optimal performance. LED junction temperatures are maintained well below design maximums even with ambient temperatures exceeding 40°C (104°F).



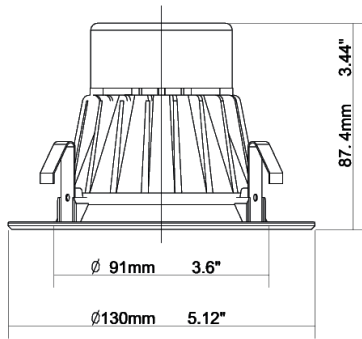
A unique combination of reflective and refractive optics achieve uniform and comfortable lighting. Optic components work together to ensure smooth light distribution and balance the delivery of high luminance on horizontal surfaces, walls, and vertical surfaces creating a more spacious environment.



Retrofit kit accessories allow for effortless replacement of existing halogen or CFL downlight fixtures.

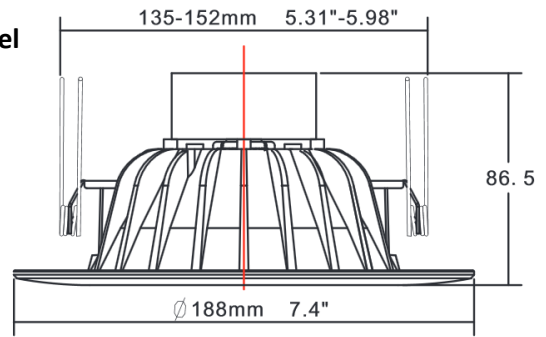
Choose between 4" and a 5"-6" retrofit kits for your residential and commercial applications.





**4" Model**

**5"-6" Model**



## Performance Specifications

Model	FOS-CR4-9W-XXH	FOS-CR4-11W-XXH	FOS-CR6-11W-XXH	FOS-CR6-14W-XXH
Power	9 Watts	11 Watts	11 Watts	14 Watts
Delivered Light	600 Lumens	770 Lumens	740 Lumens	1,030 Lumens
CRI	<b>Ra &gt; 90</b>			
Electrical	120 VAC 60 Hz, >0.9PF, Dimmable			
Certifications	UL, FCC, Suitable for Damp Locations, LM79, IES available			
Color Temperature	xx=27 for 2,700K / xx=30 for 3,000K / xx=40 for 4,000K / xx=50 for 5,000K			

